



Tarpall System Order Form

Order #: _____

Please fax the order form to (877) 333-2100 ~ For assistance please call (800) 272-6276

Customer Type:		P.O.#:		Date Ordered:	
Sold To:			Ship To:		
Address:			Address:		
City:			City:		
State:		Zip Code:	State:		Zip Code:
Contact:			Email:		
Phone:			Fax:		
Payment: <input type="checkbox"/> Credit <input type="checkbox"/> COD		Check/Credit Card#:		Auth #:	
CC St. or PO Box #:			Exp Date:		Zip Code:
Carrier:		<input type="checkbox"/> COD	<input type="checkbox"/> Collect	<input type="checkbox"/> PPD	<input type="checkbox"/> PP+A <input type="checkbox"/> 3rd Pty
Standard Delivery Date:		<input type="checkbox"/> Yes <input type="checkbox"/> No	If No, Date Required By:		

System Quantity:	System Code: _____
	TARP LENGTH - SYSTEM HEIGHT - TRAILER WIDTH - TARP COLOR - TARP WEIGHT - FLAP TYPE - SYSTEM OPTIONS
	Bill Code: _____

Body / Trailer Info.	Manufactured by: _____
	Material: <input type="checkbox"/> Aluminum <input type="checkbox"/> Steel <input type="checkbox"/> Composite
	Style: <input type="checkbox"/> Trailer <input type="checkbox"/> Straight Truck (Identify Locking Rod and Handle Configuration)
	Length: _____ Width: <input type="checkbox"/> 96" <input type="checkbox"/> 102"
	Height: <input type="checkbox"/> 8' 6" (STD) Alternative Height: <input type="checkbox"/> 6' 6" <input type="checkbox"/> 7' 6" <input type="checkbox"/> 9' 0" <input type="checkbox"/> Custom: (TALLSOCH) _____

Tarp Options	Length: _____ Width: _____ Tarp Code: _____
	Vinyl: <input type="checkbox"/> Black <input type="checkbox"/> Red <input type="checkbox"/> Blue <input type="checkbox"/> Green <input type="checkbox"/> Other: _____
	Rear Flap: <input type="checkbox"/> Crank Handle Roll Up <input type="checkbox"/> Rope and Pulley Roll Up
	Comments: _____

System Options	<input type="checkbox"/> Drop Deck (TALLSODD) <input type="checkbox"/> Door in Bulkhead (TALLSODOOR)
	<input type="checkbox"/> Window in Bulkhead (TALLSOWNDW) <input type="checkbox"/> Additional Risers (TALLRISER)
	<input type="checkbox"/> Nose Cone (TALLSONOSE)

Comments: _____

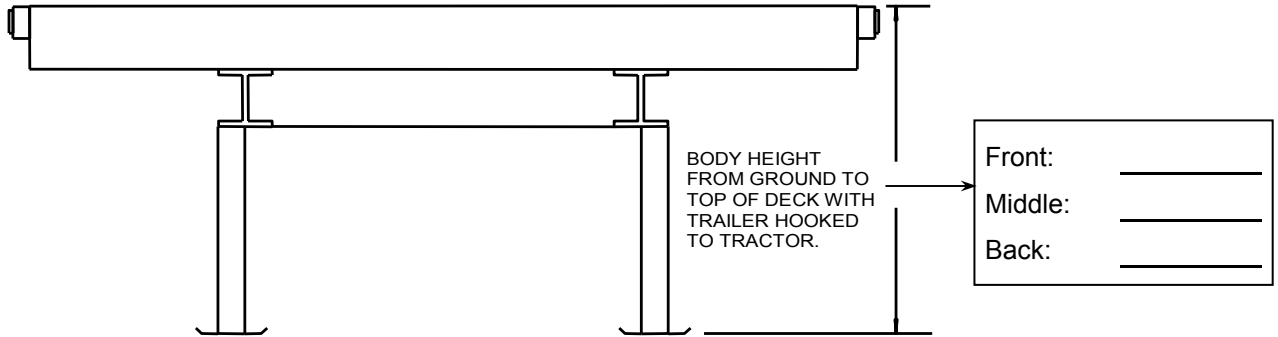
I confirm that the above specifications, measurements, and freight requirements are accurate and accepted.

Signature: _____ **Print Name:** _____

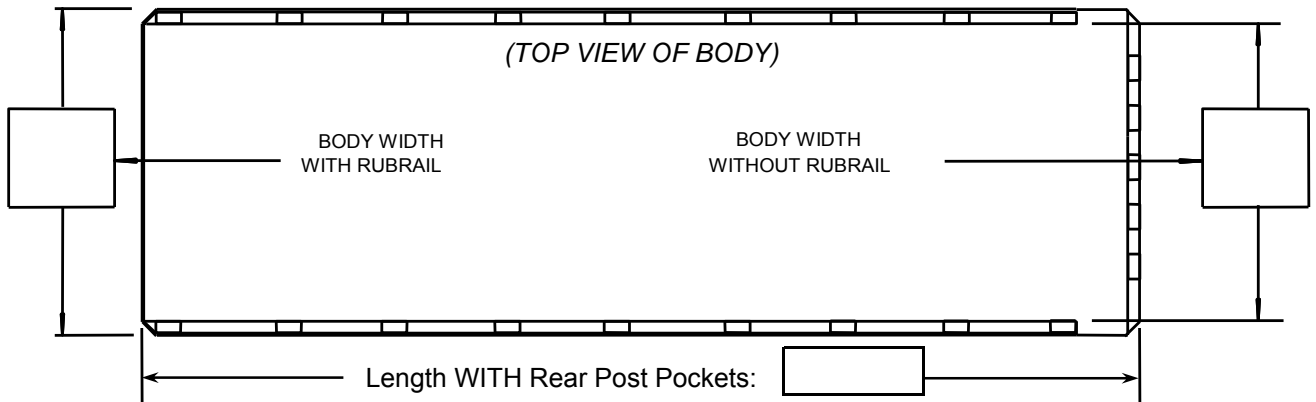
Standard Tarp All System Drawing and Measurements

MEASUREMENTS NEEDED – It is very important to give extremely accurate measurements in inches to insure the tarp system will fit properly.

(FRONT VIEW OF BODY)



(TOP VIEW OF BODY)



Internal Post Pockets

External Post Pockets

Special Instructions:

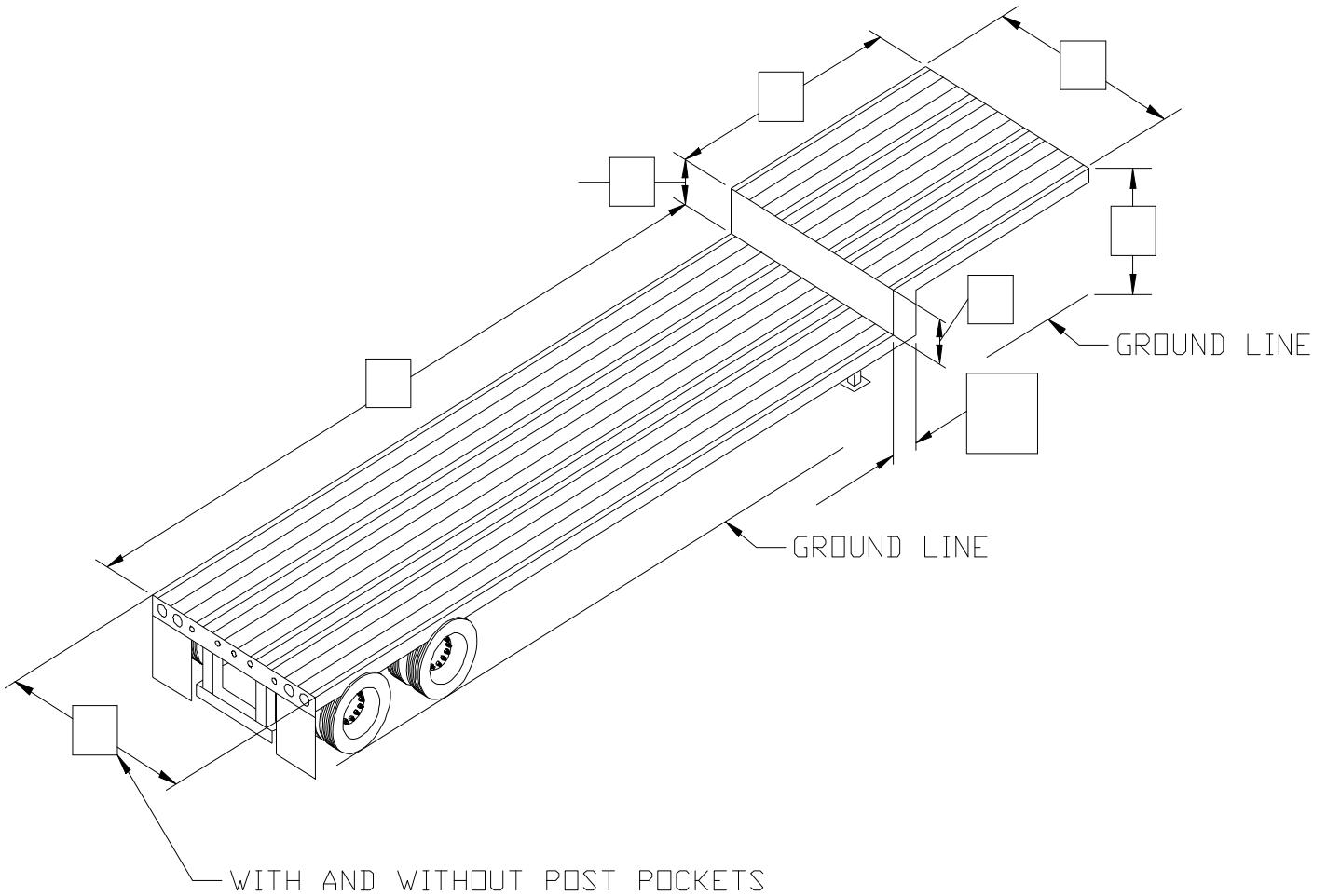
I confirm that the above specifications, measurements, and freight requirements are accurate and accepted.

Signature: _____

Print Name: _____

Drop Deck Tarp All System Drawing and Measurements

MEASUREMENTS NEEDED – It is very important to give extremely accurate measurements in inches to insure the tarp system will fit properly.



Special Instructions:

I confirm that the above specifications, measurements, and freight requirements are accurate and accepted.

Signature: _____

Print Name: _____